



ZLC Double Bracket for Inward Door

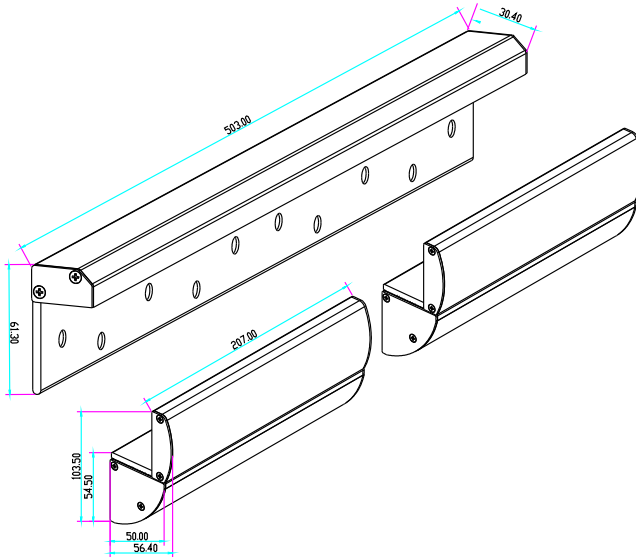
YLI ELECTRONIC

Model: MBK-280NDZLC/MBK-500NDZLC

Specification

- Detention: 503Lx30,4Wx61,3H(mm)
533Lx46Wx88H(mm)
- Material: High Strength Aluminum,
Sandblast Finished
- Suitable for: Inward Door
- Opening Mode: 90 Degree Door
- Use with: 280kg/500kg Series Magnetic Lock
- Finished for Shell: Anodized Aluminum
- Weight: 1.5kg/1.8kg

Dimension



Installation

